

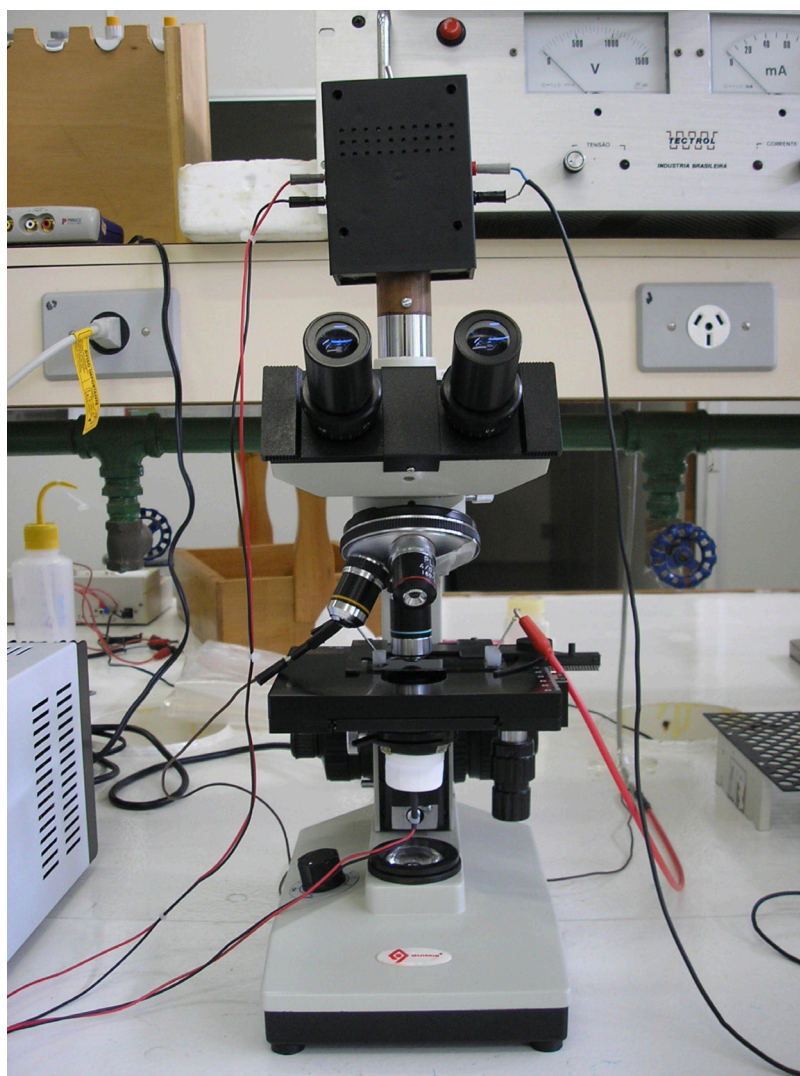
## Visible LED-Based Instrumentation for Photometric Determination of Electroosmotic Flow in Microchannels

*José Alberto Fracassi da Silva*,<sup>\*,a,b</sup> *Ariane Deblire*,<sup>a</sup> *Dosil P. de Jesus*<sup>a,b</sup> and *Wendell Karlos T. Coltro*<sup>b,c</sup>

<sup>a</sup>*Instituto de Química, Universidade Estadual de Campinas, 13083-970 Campinas-SP, Brazil*

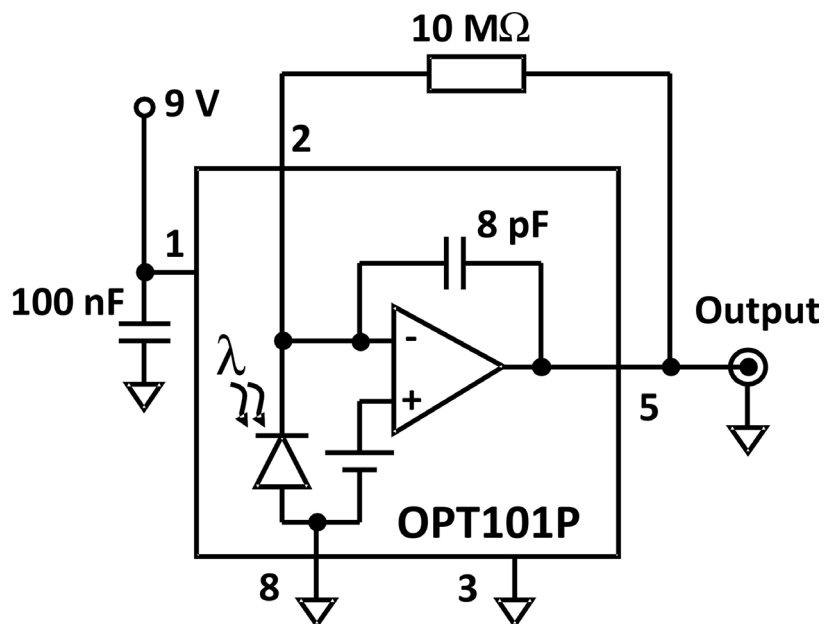
<sup>b</sup>*Instituto Nacional de Ciência e Tecnologia em Bioanalítica (INCTBio), Campinas-SP, Brazil*

<sup>c</sup>*Instituto de Química, Universidade Federal de Goiás, 74001-970 Goiânia-GO, Brazil*



**Figure S1.** Photograph of the setup used for the photometric EOF monitoring.

\*e-mail: fracassi@iqm.unicamp.br



**Figure S2.** Schematics of the electronic circuit used for the photometric EOF monitoring. The 10 MΩ resistor connected to pins 2 and 5 can be adjusted for operation in other output scales.